

Multi-Jet Dry Meter MODULARIS MTK-_{WX}, MTW-_{WX}



Fig. Dial MTK-HWX

Made of high-grade materials, our WEHRLE multi-jet dry meters MODULARIS are characterized by exceptional functionality, excellent workmanship and reliability. Their measurement results are reliable even in cases of heavily soiled water.

- Ready for integration into any AMR system
- Temperature range up to 50 °C (cold) and up to 90 °C (warm)
- Nominal flow Q_3 2,5 up to Q_3 25
- Nominal size DN15 up to DN50
- Length 105 mm up to 300 mm
- MID measurement accuracy class (Q_3/Q_1) up to R160 horizontal
- 360° rotatable 8-digit totalizer
- Brass body (DN50: grey cast iron)
- Maximum pressure load 1,6 MPa
- Protection class IP64

Multi-Jet Dry Meter MODULARIS

MTK-_{WX}, MTW-_{WX}

REMOTE READING OPTIONS (AMR)

Modularis Pulse Generator, S0, DIN 43864
 alternatively with

- 1 Litre per pulse
- 10 Litres per pulse
- 100 Litres per pulse

Modularis M-Bus module
 according to EN 1434-3

Modularis Radio module, frequency range
 433 MHz or 868 MHz (OMS)



Maximum convenience through AMR walk-by / drive-by solution

- Recording and storage of consumption data inside the radio module
- Reading of stored data via mobile reading device
- Access to building no longer necessary



Retrofitting with Modularis Radio module

- 868 MHz OMS-conformity (Open Metering Standard) or 433 MHz (wider reception and transmission range)
- Uni- or bidirectional transmission procedure
- Individually parameterizable
- Data recording via walk-by / drive-by
- Consumption data permanently stored
- Battery lifetime of up to 12 years
- Detection of rotation direction
- Manipulation detection



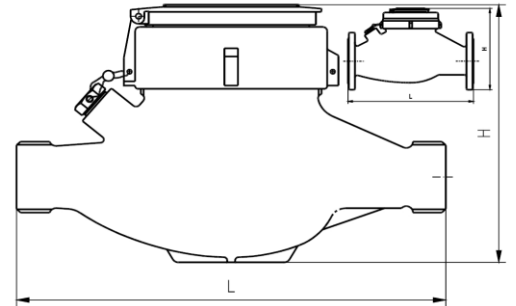
Multi-Jet Dry Meter MODULARIS

MTK-_{WX}, MTW-_{WX}

TECHNICAL DATA

Model

MTK-... = Cold water from +0,1 °C up to +30 °C / +50 °C
 MTW-... = Warm water from +0,1 °C up to +90 °C



Installation position	Model	Length* L in mm	Height H in mm (ca.)	Nominal flow Q ₃ in m ³ /h	Nominal width DN in mm	Thread in inch	Starting flow** in l/h	Flow rate Q' at 1 bar pressure loss in l/h (ca.)	Weight in kg (ca.)
horizontal	MTK-HWX MTW-HWX	165	104	2,5	15	G ¾ B	8	4500	1,5
		190	108	4	20	G 1 B	8	5600	1,6
		260	120	6,3	25	G 1 ¼ B	14	11000	2,9
		260	120	10	25	G 1 ¼ B	17	12500	2,9
		260	120	10	32	G 1 ½ B	17	12500	2,9
		300	143	16 ^{b)}	40	G 2 B	19	24000	4,9
		300 ^{a)}	155	25 ^{b)}	50	G 2 ½ B	20	31250	9,5
		300 ^{a)}	162	25 ^{b)}	50	F50	20	31250	11,5
ascending	MTK-SWX MTW-SWX	105	142	2,5	20	G 1 B	8	5500	1,7
		105	142	4	20	G 1 B	8	5500	1,7
		150	162	6,3	25	G 1 ¼ B	14	12500	2,8
		150	162	10	25	G 1 ¼ B	17	12500	2,8
		150	207	16 ^{b)}	40	G 2 B	19	26000	4,7
descending	MTK-FWX MTW-FWX	105	142	4	20	G 1 B	8	5500	1,9

* Additional lengths available on request ** Typical values in horizontal installation position

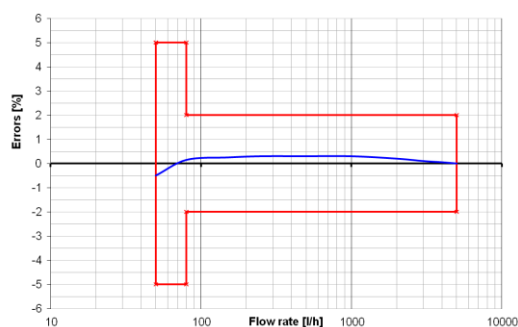
^{a)} for Q₃ 25 MTW-HWX (warm water) only possible with a length of 270 mm

^{b)} warm water meters only available as quality approved versions

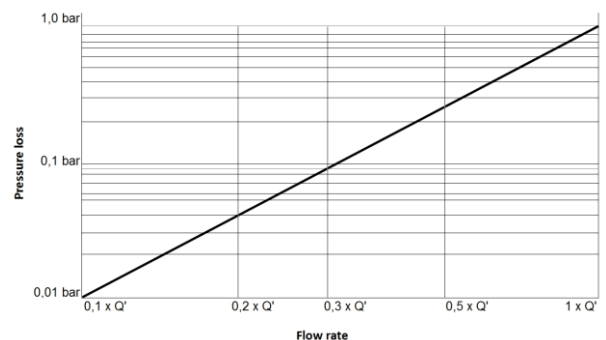
The meter does not require any upstream or downstream straight length (U0/D0).

Subject to errors and alterations.

Typical error curve Q₃ 2,5 R80H



Typical pressure loss graph

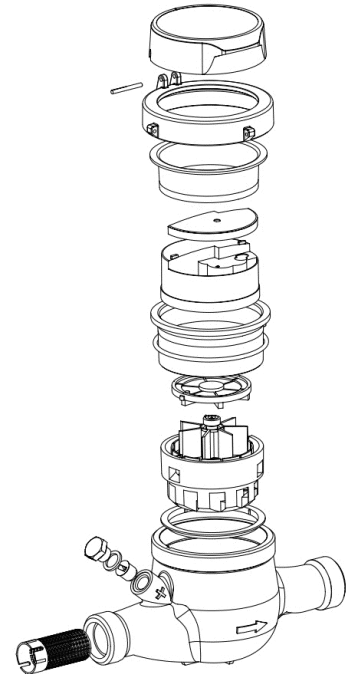


Multi-Jet Dry Meter MODULARIS

MTK-_{WX}, MTW-_{WX}

APPROVALS / CERTIFICATES / STANDARDS

- EU-Type Examination Certificate according to 2014/32/EU (MID)
- OIML R49
- EN 14154
- KTW / W270 (D)
- ACS (F)



ADDITIONAL OPTIONS

- Individual labelling of totalizer and/or protection cover (on customer request)
- Transparent cover with viewing window for litre pointer → Fig. ①
- Insert back-flow preventer
- Individual customer serial number (max. 14 figures)
- Protection cover with rotatable inner disk (labelling surface on interior)



Fig. ①

VARIANTS



Fig. MTW-HWX (warm water) Fig. MTK-SWX (ascending pipe) Without fig. MTK-FWX (downpipe)