

Multi-Jet Wet Meter MNK- WV



Fig. Dial MNK-HWV

Our WEHRLE multi-jet wet meters present exceptional reliability and set standards due to durability.

- Optional: Prepared for installation into various remote readout systems
- Temperature range up to 30 °C (cold)
- Nominal flow Q_3 2,5 up to Q_3 25
- Nominal size DN15 up to DN50
- Length 105 mm up to 300 mm
- MID measurement accuracy class (Q_3/Q_1) up to R250 horizontal and up to R80 vertical
- 5-roller totalizer
- WVG brass body (DN50: grey cast iron)
- Maximum pressure load 1,6 MPa
- Protection class IP68

Multi-Jet Wet Meter

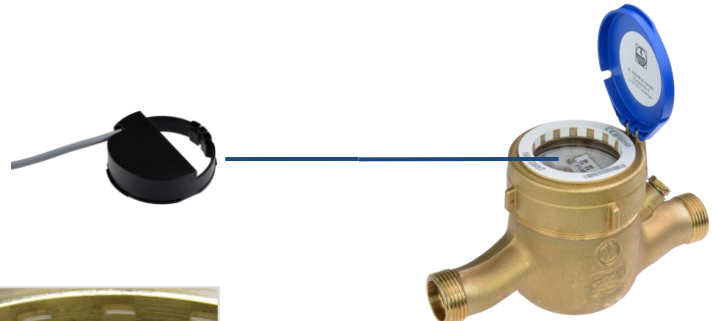
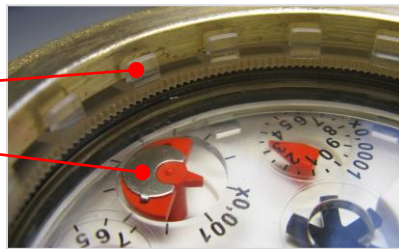
MNK-_{WV}

REMOTE READING OPTIONS (AMR)

Pulse module for wet meter*,
S0 according to DIN 43864
alternatively with - 10 Litres per pulse
- 100 Litres per pulse

* only possible with meters
or measuring inserts with:

- Fixing ring (transparent)
- Modulation pointer AMR



Maximum convenience through AMR

- Recording and storage of consumption data
- Access to building no longer necessary
- Possible optional connection to an external radio pulse adaptor (433 MHz, international protection code IP68, battery lifetime 12 years)



Characteristics pulse module for wet meter

- High-quality sensor technology
- Safe from manipulation
- Battery lifetime 12 years
- Sturdy design due to encapsulated electronics
- Protection class IP 68
- Functional reliability due to internal power supply



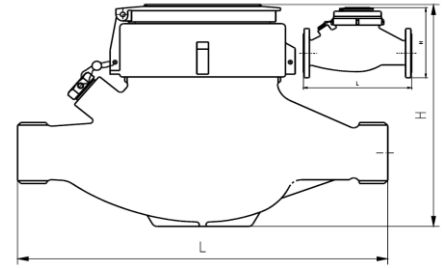
Multi-Jet Wet Meter

MNK- WV

TECHNICAL DATA

Model

MNK- ... = Cold water from +0,1 °C up to +30 °C



Installation position	Model	Length* L in mm	Height H in mm (ca.)	Nominal flow Q ₃ in m ³ /h	Nominal width DN in mm	Thread in inch	Starting flow** in l/h	Flow rate Q' at 1 bar pressure loss in l/h (ca.)	Weight in kg (ca.)
horizontal	MNK-HWV	165	115	2,5	15	G ¾ B	5	4500	1,5
		190	115	4	20	G 1 B	5	5750	1,6
		260	135	6,3	25	G 1 ¼ B	10	11000	2,9
		260	135	10	25	G 1 ¼ B	12	13500	2,9
		260	135	10	32	G 1 ½ B	12	13500	2,9
		300	160	16	40	G 2 B	20	24000	4,9
		270	170	25	50	G 2 ½ B	30	32000	10
		270	180	25	50	F50	30	32000	12,5
		300	180	25	50	G 2 ½ B	30	32000	9,6
		300	180	25	50	F50	30	32000	11,5
ascending	MNK-SWV	105	115	2,5	20	G 1 B	5	5500	1,7
		105	115	4	20	G 1 B	5	5500	1,7
		150	135	6,3	25	G 1 ¼ B	10	12500	2,8
		150	135	10	25	G 1 ¼ B	12	12500	2,8
		150	160	16	40	G 2 B	30	26000	4,7
descending	MNK-FWV	105	115	4	20	G 1 B	5	5500	1,9

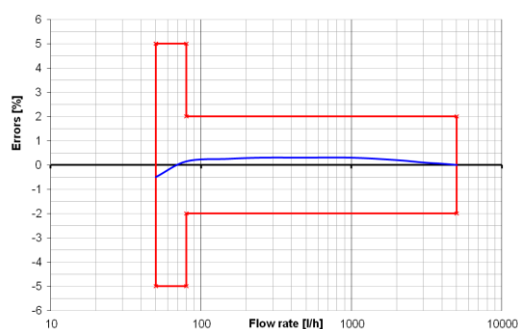
* Additional lengths available on request

** Typical values in horizontal installation position

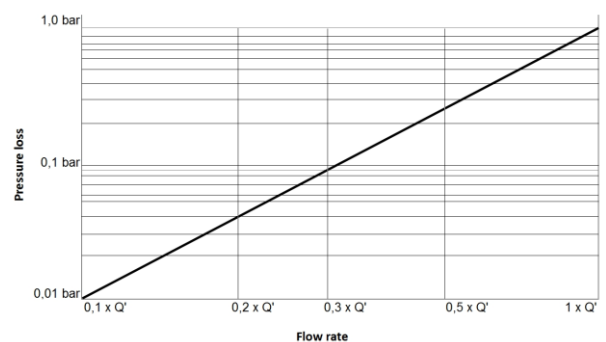
The meter does not require any upstream or downstream straight length (U0/D0).

Subject to errors and alterations.

Typical error curve Q₃ 4 R80H



Typical pressure loss graph

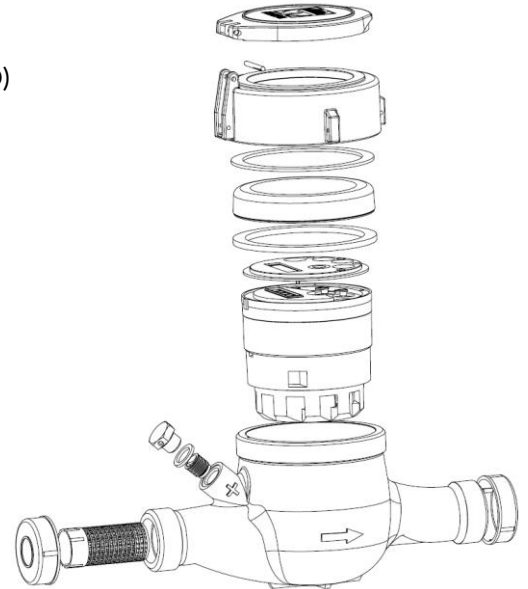


Multi-Jet Wet Meter

MNK- WV

APPROVALS / CERTIFICATES / STANDARDS

- EU-Type Examination Certificate according to 2014/32/EU (MID)
- OIML R49
- EN 14154
- KTW / W270 (D)



ADDITIONAL OPTIONS

- Individual labelling of totalizer and/or protection cover (on customer request)
- Insert back-flow preventer
- Individual customer serial number (max. 14 figures)
- Prepared for remote readout possibilities (on customer request)

VARIANTS



Fig. MNK-SWV (ascending pipe) Without fig. MNK-FWV (downpipe)